



AWM-810UHF

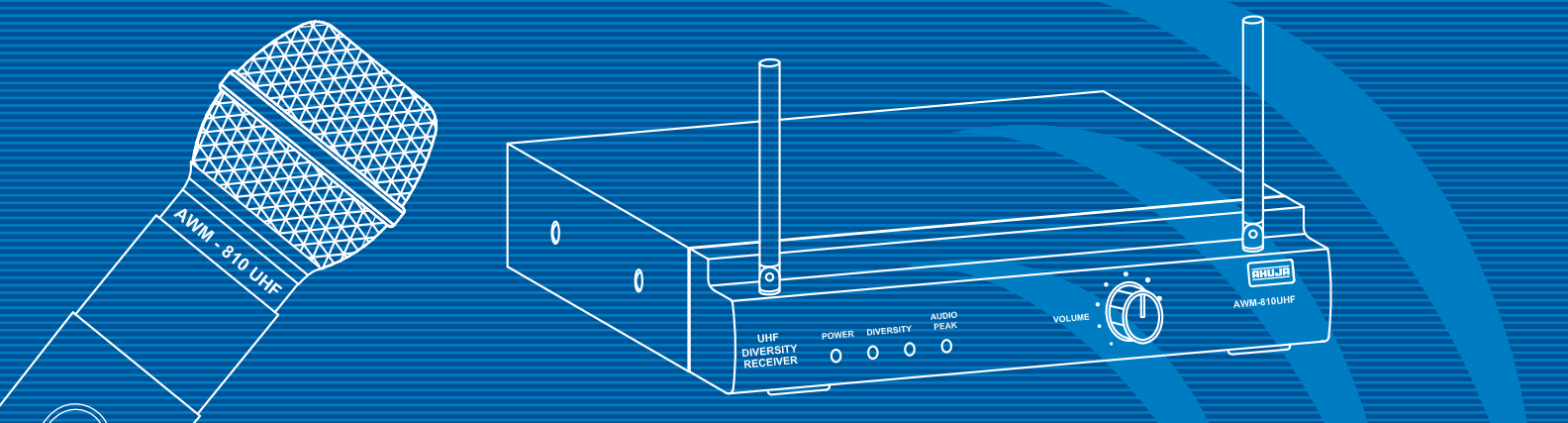
PROFESSIONAL PA WIRELESS MICROPHONE



AHUJA introduces a high performance, affordable UHF Wireless Microphone AWM-810UHF. It consists of a high output power transmitter and a highly sensitive diversity receiver, both designed for ruggedness and excellent sound quality.

Features

- Compact & elegant single channel UHF Wireless Microphone available in five different frequencies.
- Dynamic unidirectional microphone with two slide switches - one for Audio MUTE/ON and the other for RF ON/OFF.
- Low battery LED indicator on the microphone.
- Stylish & sturdy table-top diversity receiver with noise squelch control.
- Balanced output through male XLR socket & unbalanced output through a 1/4" phone jack.
- Unbalanced output available in two selectable (HI/LO) sensitivities for optimum matching with any mixer/ amplifier.
- LED indicators for POWER, DIVERSITY & AUDIO PEAK on the receiver.
- Output volume control on the front panel.
- Microphone operates with 1x9V battery and receiver operates on 12V DC through on AC adaptor, (supplied alongwith).
- Moulded carry-case for ease of storage & transportation.



Specifications

Microphone

RF Output Power	20mW
Carrier Frequency Range	480-510MHz
RF Carrier Frequencies	487MHz, 490MHz, 501MHz, 503MHz, 509MHz
Modulation Mode	FM
Microphone Element	Dynamic, Cardioid
Spurious Rejection	≥60dB
Power Requirement	9V Battery
Current Consumption	≤40mA
Controls	MUTE/ON switch, Power ON/OFF switch
Indication	Red LED for indicating Low Battery, Green LED for Mic ON
Dimensions	Ø53 (L 250) mm
Weight	0.27kg (w/o battery)

Receiver

Carrier Frequency Range	480-510MHz
RF Carrier Frequencies	487MHz, 490MHz, 501MHz, 503MHz, 509MHz
Receiving System	Diversity reception
Audio Output	Balanced: 0-50mV Unbalanced: HI: 0-80mV; LO: 0-25mV
S/N Ratio	≥100dB
Distortion	≤1%
Frequency Response	50-15,000Hz
Image Rejection	>60dB
Power Requirement	240V AC 50Hz for AC Adaptor (supplied alongwith)
Controls	Power Switch, HI/LO Switch, Squelch Control, Output Volume Control
Indications	Red LED for Power, Yellow LEDs for Diversity, Green LED for Audio Peak
Dimensions	W195 × H45 × D150mm
Weight	0.70kg

Accessories

1 × Connection Cable, 1 × AC Adaptor, 1 × 9V Battery

Licensing Information:

IMPORTANT: Licensing of Ahuja wireless microphone system is the user's responsibility and licensability depends on the user's classification and application, and on the selected frequency. Ahuja strongly urges the user to contact the appropriate telecommunications authority concerning proper licensing, and before choosing and ordering frequencies.

Design and Specifications are subject to change without notice. **AHUJA** is a registered trademark of Ahuja Radios in India and other countries. © Copyright Ahuja Radios, 2008. All rights reserved. Any unauthorized reproduction or use of logos, images or design elements is strictly prohibited by law. No part of the compilation may be reproduced in any manner or translated without written permission.

AHUJA RADIOS

215, Okhla Industrial Estate, New Delhi - 110 020, INDIA Tel.: +91-11-26831549, 41612474 Fax: +91-11-26847287
E-mail: ahuja@ahujaradios.com, admin@ahujaradios.com Website: www.ahujaradios.com

WEB12/08